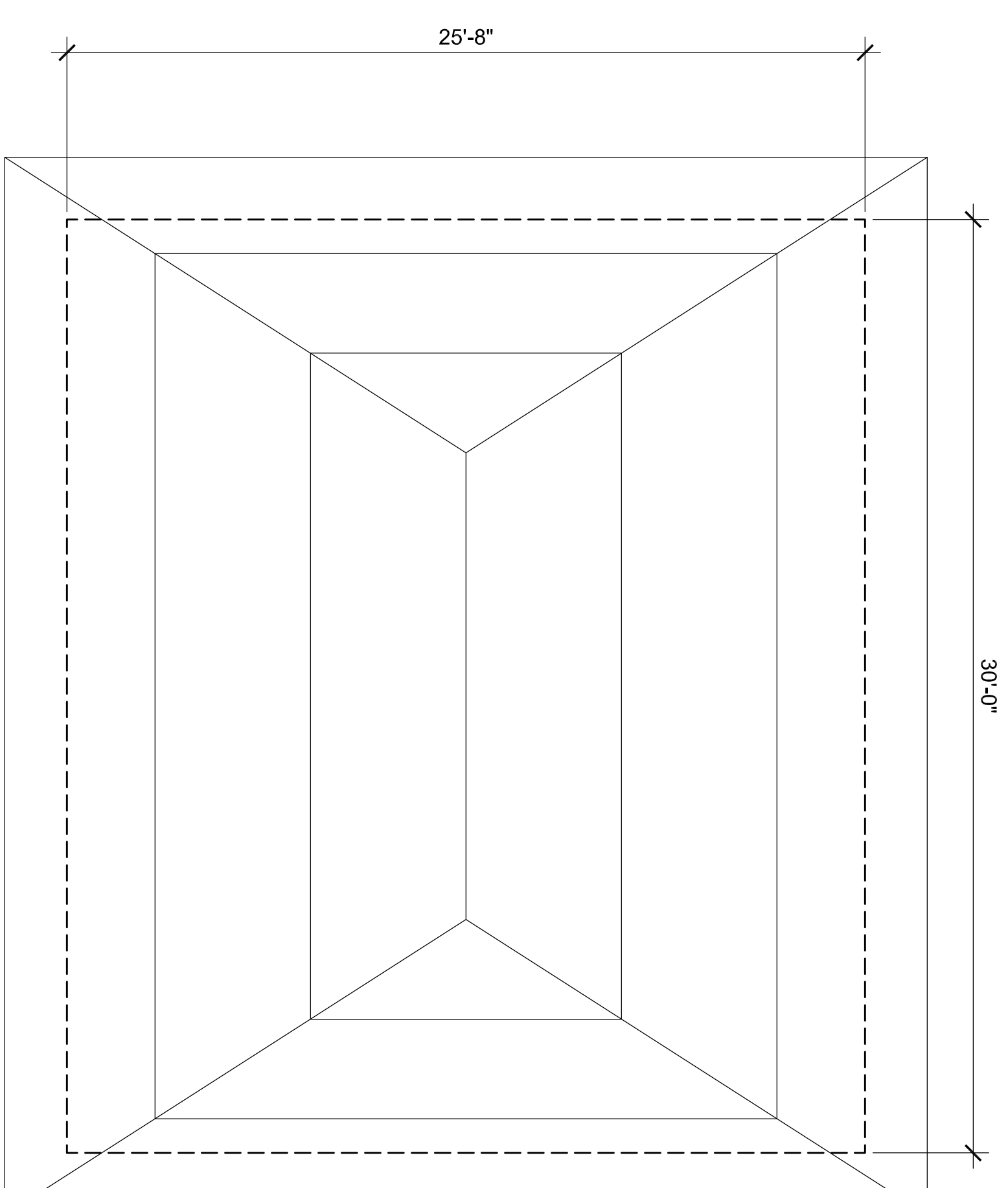


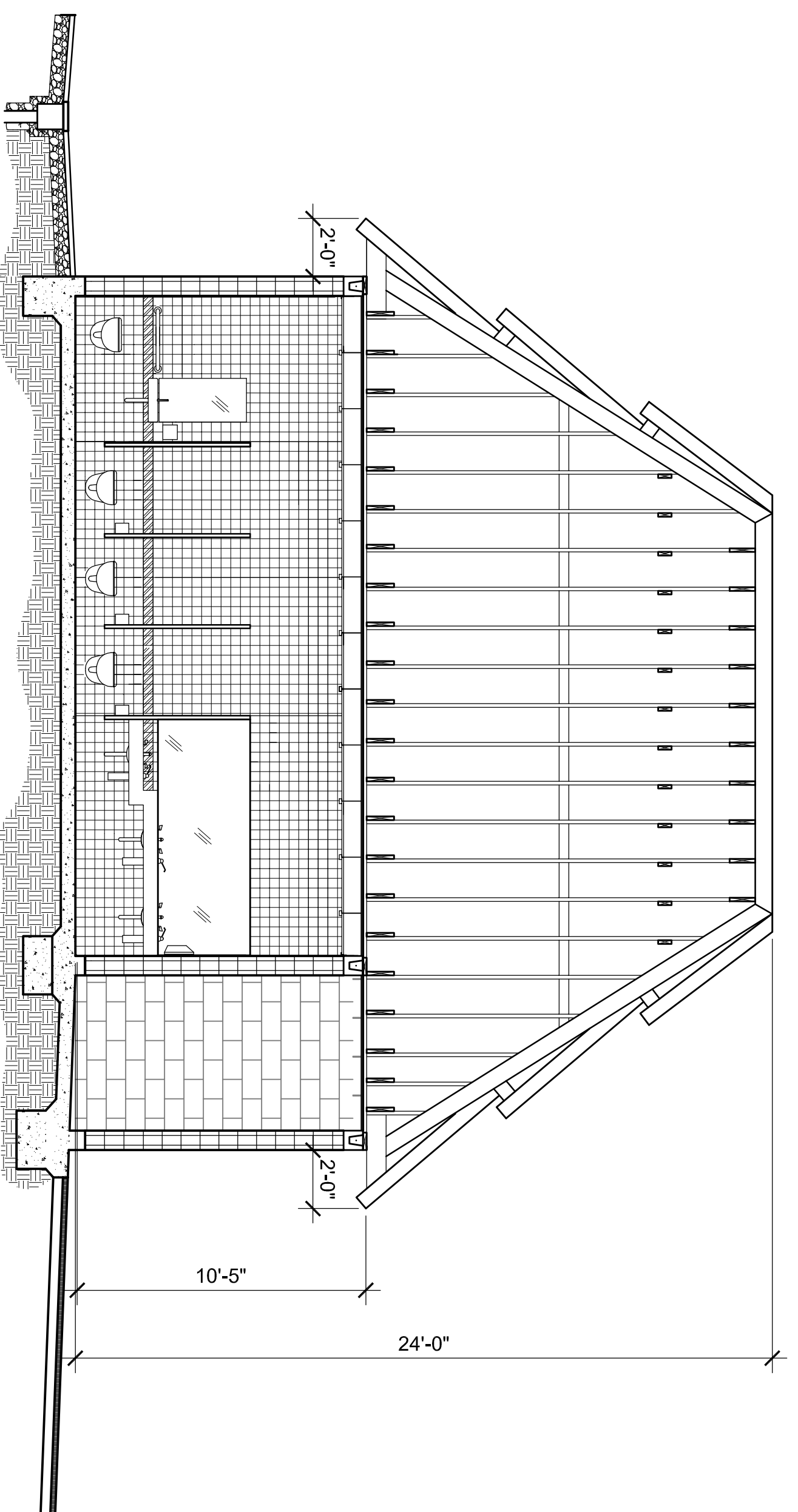
1 PLAN - RESTROOMS

1/4"=1'-0"



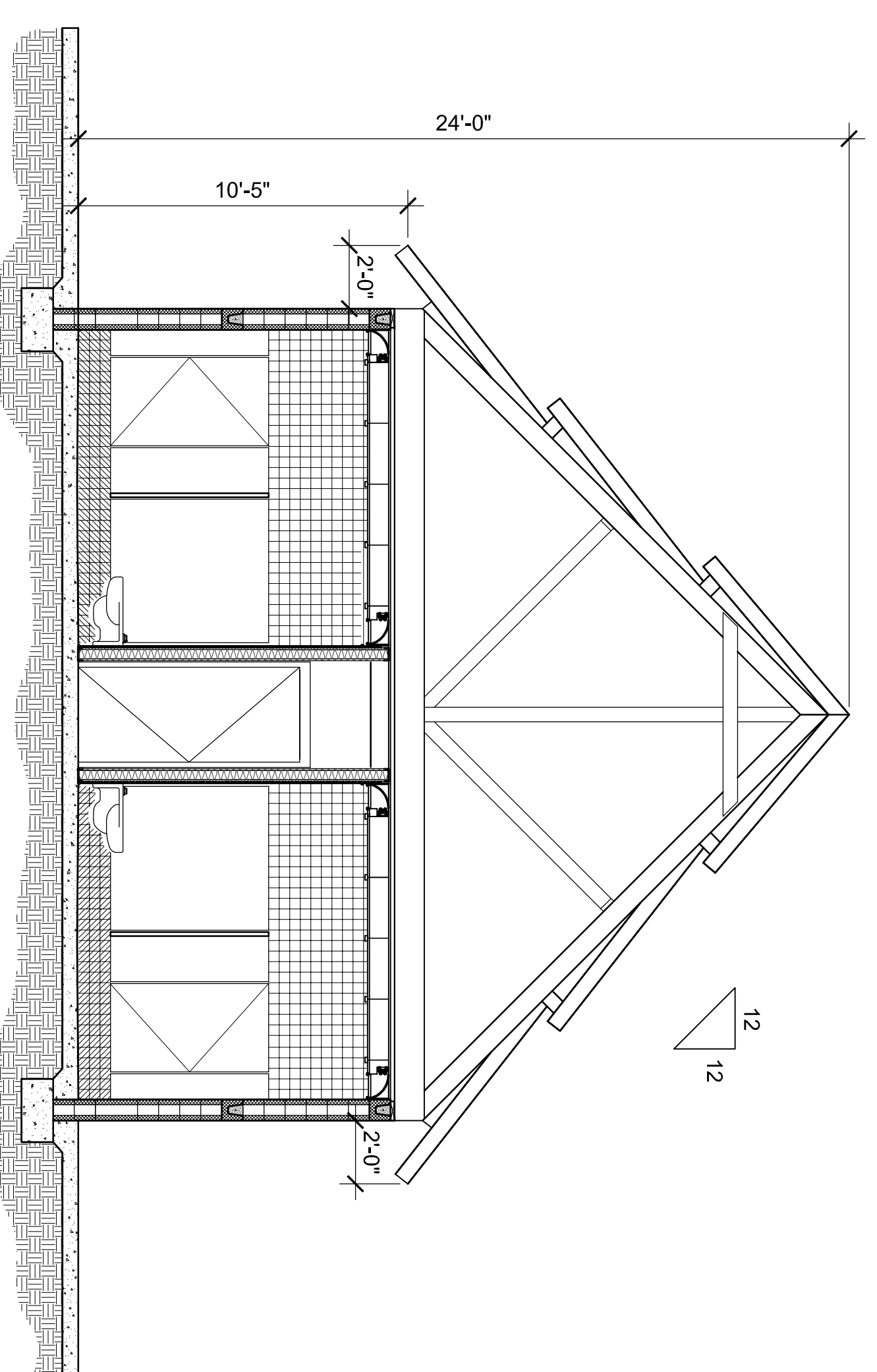
2 ROOF PLAN - RESTROOMS

1/4"=1'-0"



3 SECTION - RESTROOMS

1/4"=1'-0"



4 SECTION - RESTROOMS

1/4"=1'-0"

<p>TORRE DESIGN CONSORTIUM LTD A PROFESSIONAL ARCHITECTURAL CORPORATION</p> <p>ARCHITECTURE PLANNING INTERIOR DESIGN 2000 MADONNE ST. NEW ORLEANS, LOUISIANA 70114-1796 (504)999-2502 FAX (504)999-2088</p>		<p>NO. _____</p> <p>REVISIONS/ISSUANCES _____</p> <p>DATE _____</p>
<p>PROJECT TITLE</p> <p>FESTIVAL GROUNDS AT CITY PARK NEW ORLEANS, LOUISIANA</p>		<p>KEY PLAN</p>
<p>DRAWING TITLE</p> <p>RESTROOMS</p>		<p>DESIGNED _____</p> <p>DRAWN HB</p> <p>CHECKED _____</p> <p>REQUIRED _____</p> <p>DATE 06/10</p>
<p>PROJECT NO. 28006</p> <p>SCALE AS NOTED</p> <p>DRAWING NO. AR1.3</p>		<p>SEAL</p>